

Tele-Tower

Adjustable Work Platform

OPERATOR'S MANUAL

For Extension Models
1177-22 & 1177-2296



⚠ WARNING ⚠

Read and become familiar with this manual **BEFORE** operating unit.

Before operating this equipment, thoroughly read this set of instructions, make sure you understand them, and only then follow the step-by-step directions. Failure to do so could result in serious property damage and / or serious bodily injury or death.

BEFORE ATTEMPTING TO ASSEMBLE OR USE

the Tele-Tower® Adjustable Work Platform Extension 1177-22 or 1177-2296:
Thoroughly read and make sure you understand the Operator's Manual for the
Tele-Tower® Model 1101-22 & 1101-2296 Adjustable Work Platform.*

FAILURE TO READ AND FOLLOW THESE INSTRUCTIONS
could result in an incorrectly assembled structure which may fail.
Failure of the structure may result in serious property damage,
serious bodily injury and/or death.

MADE IN USA BY
PARAGON PRO
MANUFACTURING SOLUTIONS

*All Tele-Tower® Operator's Manuals are available free from Paragon Pro Manufacturing Solutions. If you need a copy, contact Telpro Inc. at:
701-775-0551 Phone or email: sales@paragonpromfg.com

To our valued customer,

Thank you for choosing a **Telpro Inc.**® product by **PARAGON PRO** Manufacturing Solutions. We are pleased that we are able to provide equipment to make your work easier.

Our efforts are focused on producing the _____ quality equipment of which we are capable. We make sure to spend extra time and effort on our design and production in order to reduce your time and effort spent using the product.

We take pride in providing the best for our customers. Quality, innovation, and excellence are all qualities this company ensures. No product is sent without being factory tested and inspected to ensure the highest quality for you.

It all began in 1972 when Roland Young designed our _____ product, the PANELLIFT® Brand Drywall Lift, and revolutionized the drywall industry. To this day we are continuously making advancements in manufacturing and design.

Thank you again for giving us the opportunity to work with you. Any questions or comments that you have are always welcome.

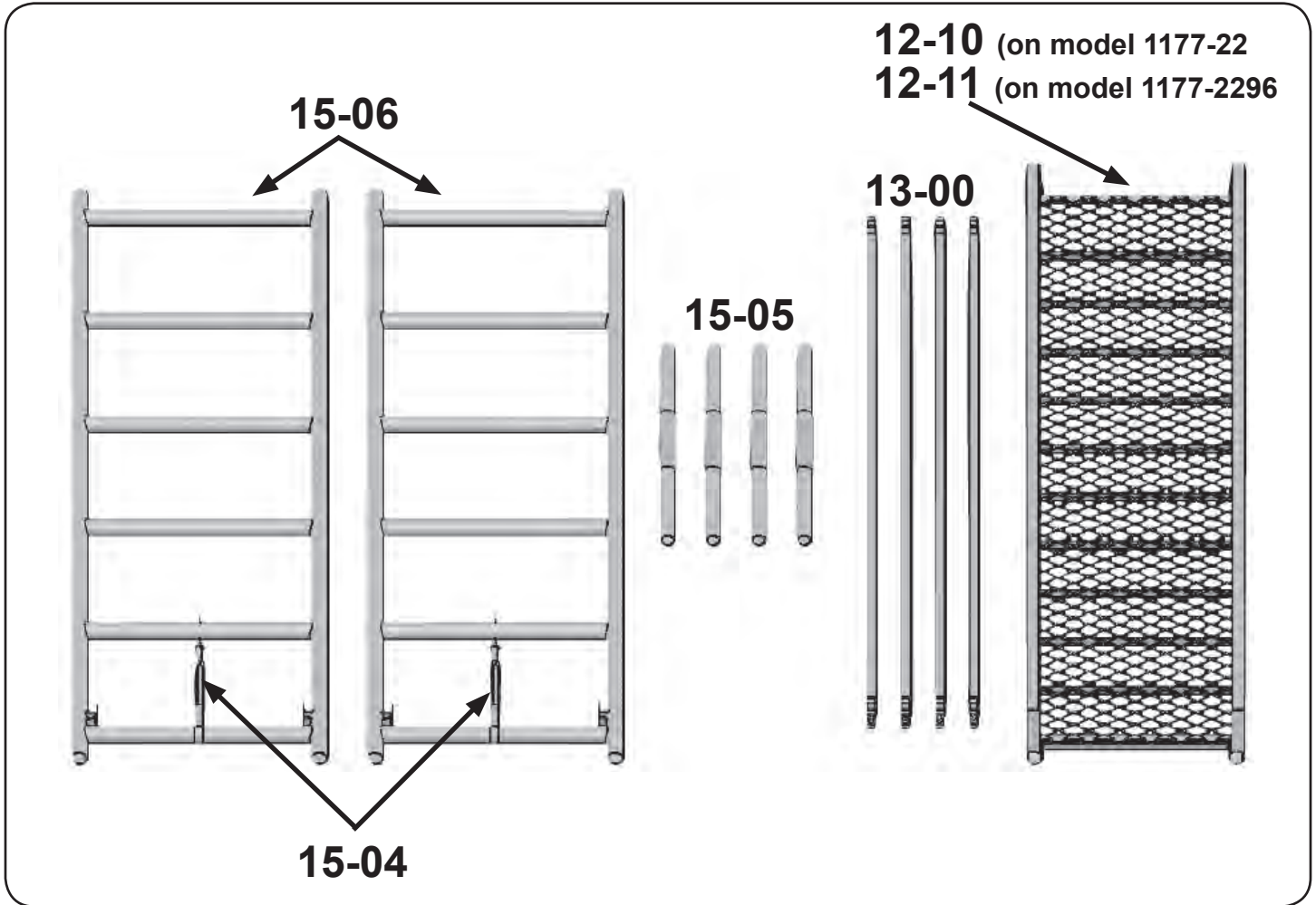
PARAGON PRO
M a n u f a c t u r i n g S o l u t i o n s

WARNING

Read and follow these warnings and the instructions that follow. Failure to do so may result in serious property damage, serious bodily injury, and/or death:

- Read and follow all warnings and precautions in Operator's Manual for the Tele-Tower® Adjustable Work Platform Models 1101-22 & 1101-2296. A free copy of that manual can be obtained by calling Telpro Inc. at 1-800-448-0822 or 701-775-0551, emailing: telpromktg@telproinc.com, or by going to www.telproinc.com and downloading a copy.
- Become familiar and comply with all applicable Federal, State and Local safety standards, statues, regulations and/or safety codes.
- Total weight capacity of the Tele-Tower® Adjustable Work Platform with the 1177-22 or 1177-2296 Extension installed is 800 lbs. (362 kg) **DO NOT EXCEED THIS LIMIT!**
- Inspect the work platform assembly before each use to see that:
 - it is assembled correctly
 - it is level and plumb
 - base outriggers are extended to maintain a height to base ratio in keeping with applicable standards
 - all four casters are securely installed and properly fastened
 - all guardrails, chains and anti-sway braces are correctly and securely installed
 - safe access is provided
 - there are no overhead obstructions
 - there are no electric lines within 12 feet of the scaffold assembly
- Always engage all four ladder lock pins before climbing.
- When using the Tele-Tower® Adjustable Work Platform with the 1177-22 or 1177-2296 Tele-Tower® Extension installed, work only from the top platform. The lower platform is not designed as a work area.
- Do not extend working heights by standing on guardrails, planking guardrails or toe boards, or by use of boxes or ladders or other devices on the work platform.
- Never make elevation adjustments with a person on the Tele-Tower®.
- When the 1177-22 or 1177-2296 Tele-Tower® Extension is installed, no personnel should be on the Tele-Tower® Adjustable Work Platform while it is being moved.
- Lock all casters before climbing onto the Tele-Tower®.
- Work only from the platform area of the Tele-Tower® Adjustable Work Platform. Use caution when reaching over or outside the guard rail system to access work. Over extending can create a fall hazard.
- Do not extend the length or width of the work platform beyond the manufacturer's supplied design.
- Before moving the work platform:
 - Secure all materials
 - Be sure floor surface is clear of obstructions or holes.
 - Be sure there are no overhead obstructions
 - Be sure there are no electric power lines in the path of rolling work platform.
 - Be sure that the base outriggers are extended to maintain a height to base ratio in keeping with applicable standards.
- The Tele-Tower® Adjustable Work Platform shall be used only on hard, flat (slope not greater than 1/4 inch per foot) surfaces free of obstructions, openings, pits and/or holes.
- Move rolling towers by pushing at the base level only. Do not pull from the top.

Extension Components



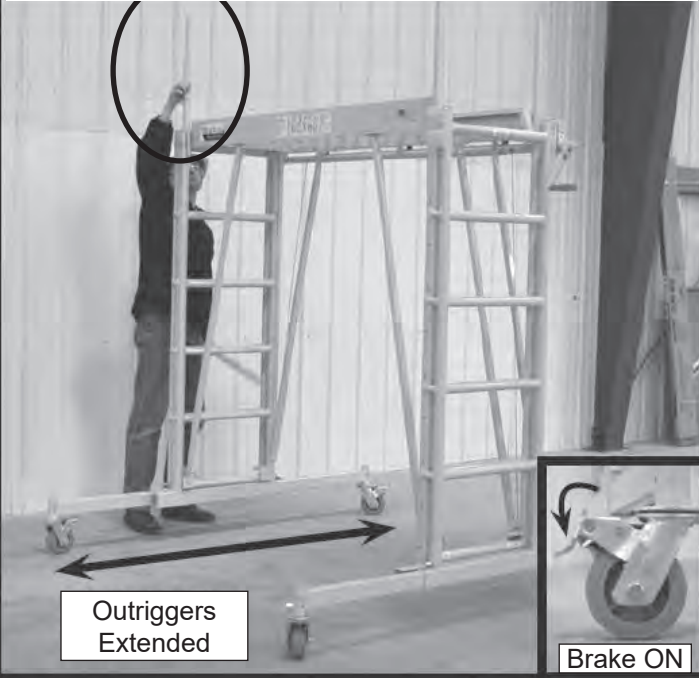
Parts Index

Part #	Description
15-06	Complete Extension Ladder (each)
15-05	Extension Coupler Pipes (each)
13-00	Anti-Sway Braces (each)
12-10	Deck for Model 1177-22 Extension (nominally 6' long)
12-11	Deck for Model 1177-2296 (nominally 8' long)
15-04	Turnbuckle Fastening Assembly

STEP 1

Begin with assembled standard Tele-Tower® with the telescoping ladders in the fully lowered position.

- Extend the base outriggers to comply with applicable safety standards and/or regulations.
- Replace the safety rails with the extension coupler pipes.

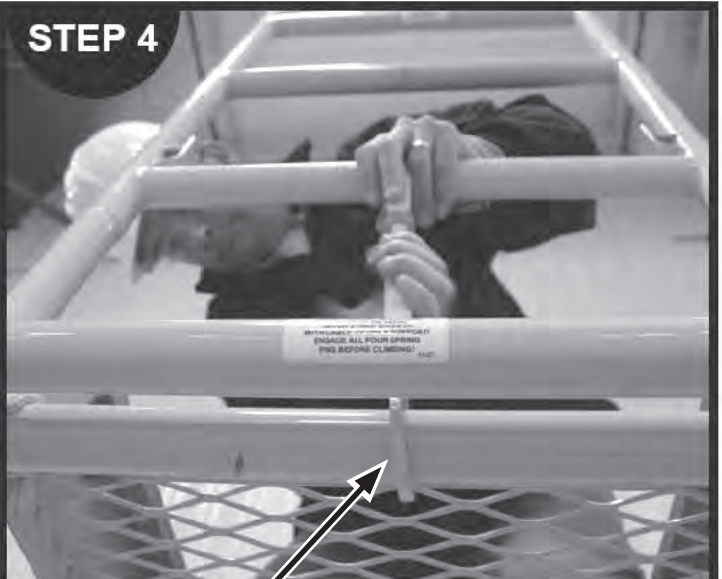


STEP 3



Loosen the turnbuckles on the extension ladders and turn them down toward the deck.

STEP 4



Attach hook end to *inner* telescoping ladder - not outer ladder. Center hook on rung and **TIGHTEN SECURELY**.
- **NOTE: CHECK TO MAKE SURE THIS ASSEMBLY REMAINS SNUG DURING USE.**

STEP 2



Place the extension ladders on the coupler pipes with the turnbuckle fastener on the bottom as shown.

STEP 5



Position deck on the **TOP RUNGS** of the extension ladders only. **NEVER** position the deck on any of the lower rungs as this will prevent proper installation of the anti-sway braces resulting in an unstable structure.

STEP 6



Attach the braces to the bottom of the extension deck.

STEP 8



Attach all four braces before using.

STEP 7



Attach the bottom of the braces at the bottom of the extension ladders.

WARNING!! Never operate the Tele-Tower® without first making sure all braces are properly and securely installed on the base unit as well as the extension. Failure to properly install all braces can result in collapse of the platform possibly resulting in serious property damage, and/or bodily injury and/or death.

STEP 9



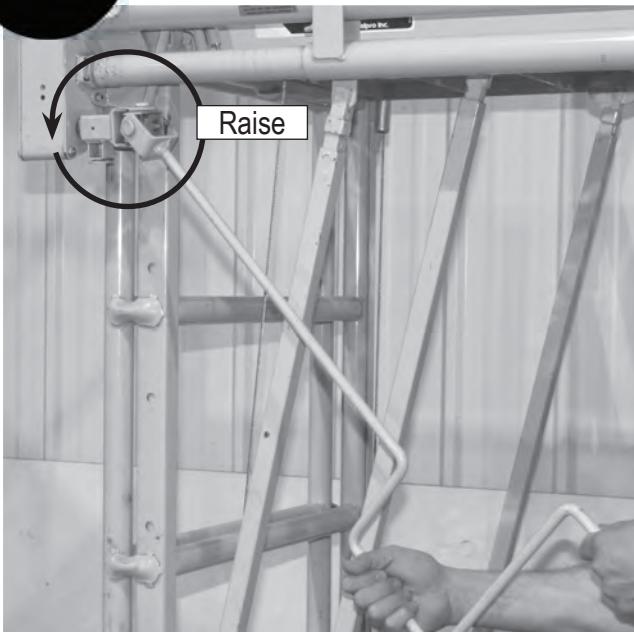
Insert the safety rails in the top of the extension ladders.

STEP 10



Insert the second set of rails in the top of the first.

STEP 11



Raise deck to desired height by rotating winch handle in a counter-clockwise direction.

WARNING!!

- ALWAYS LOCK DECK HEIGHT IN POSITION USING THE LADDER LOCK SPRING PINS. Failure to do so can result in sudden and unexpected collapse of the work platform possibly resulting in serious property damage and/or serious bodily injury and/or death.



Fully extended TELE-TOWER®
with extension provides a
safe 17.5' deck height.
(24' working height)

This product contains trace amounts of the following items which are known to cause
These chemicals are not hazardous under product's intended use.
Please review CAS# for more information.

Chemical	Hazard	CAS#	% By Weight
Arsenic	Cancer	7440-38-2	Trace
Cadmium	Developmental	7440-43-9	Trace
Chromium	Cancer, Developmental	7440-47-3	Trace
Ethylbenzene	Cancer	100-41-4	Trace
Lead	Cancer	7439-92-1	Trace
Methanol	Developmental	67-56-1	Trace
Methylene Chloride (Dichloromethane)	Cancer	75-09-2	Trace
Nickel	Cancer	7440-02-0	Trace
Propylene glycol monobutyl ether	Cancer	5131-66-8	Trace
Toluene	Developmental	108-88-3	Trace
Wood Dust	Cancer	None	Trace

**Paragon Pro Manufacturing
Solutions**

7251 S 42nd St
Grand Forks, ND 58201 701-775-0551
www.paragonpromfg.com
email: sales@paragonpromfg.com