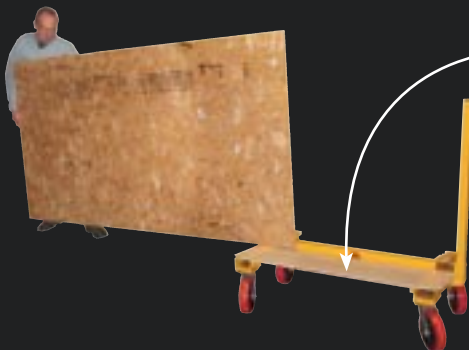


The ^{versatile} cart

Designed as a drywall cart, the Troll® model 1361 cart is truly multi-purpose. The open front lets one person load and unload without damaging the boards or your hands and it also works great for moving round tables. With a net weight of 85 lbs. and a load rating of **4000 lbs.**, the cart supports 47 times its own weight!

comes standard with:

- 3 swivel casters w/ fasteners &
- 1 locking braking caster



Optional Skid Plate Part # 22-12

Order the optional Skid Plate and convert to a closed front cart. The high density polyethylene protects the edges of the board when you slide it on. The skid plate comes with its own frame and sets on the cart, supporting the load and holding itself in place.



The Troll material handling cart model 1361

easily converts

The carrying handle makes it easy to get through doors and other small openings. One person can carry the folded cart from one floor to another.



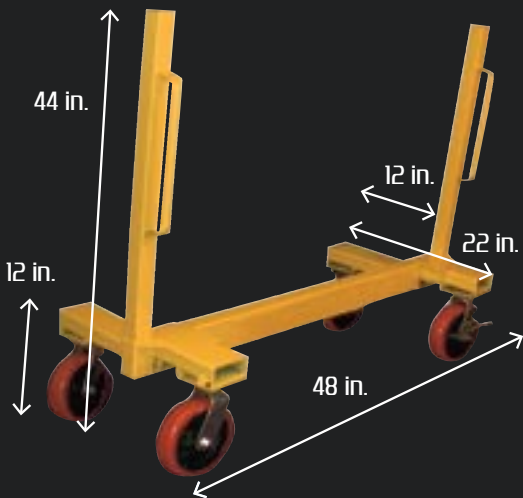
The handles will lock in place in the upright position or fold and store to create a one handed carrying handle.

Set the handles in the front and rear hangers, place a piece of plywood on top and you have a flatbed!



unique design

The hourglass design (open front & back) allows you to get in and around tight corners. The narrow profile makes it easier to get through doors and other small openings.



Dimensions