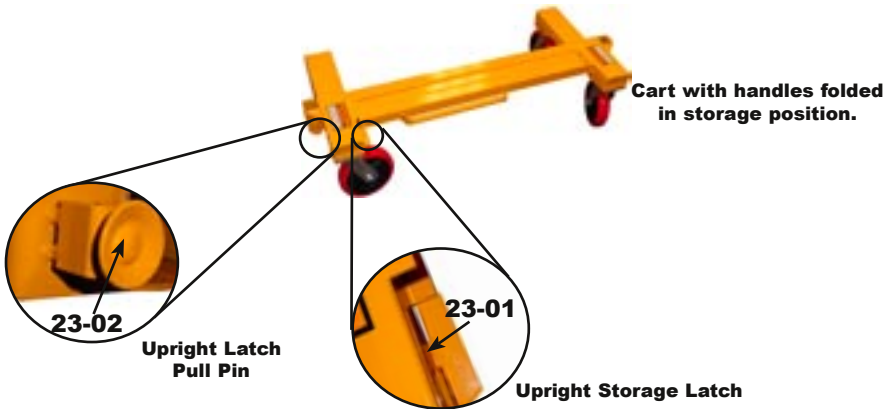


Front View



Back View



Parts Index

<u>Part #</u>	<u>Description</u>
23-01	Upright Storage Latch
23-02	Upright Latch Assembly
23-03	Upright Tube
23-04	(3) 8" Swivel Casters w/ Fasteners
23-05	Upright End Cap
23-06	(1) 8" Locking Brake Caster