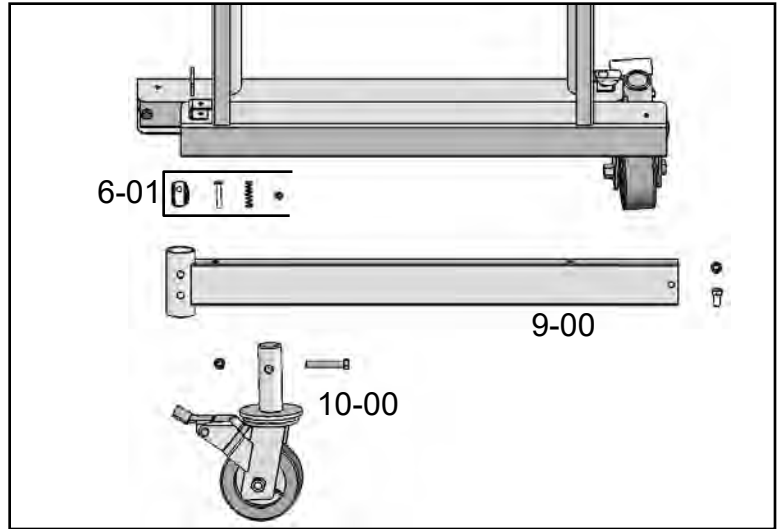


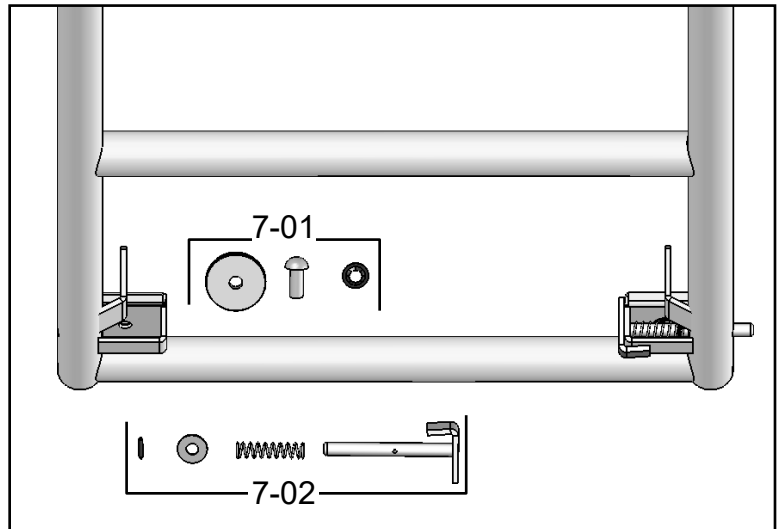
# PARTS INDEX Models 1101-610

## PARTS LIST

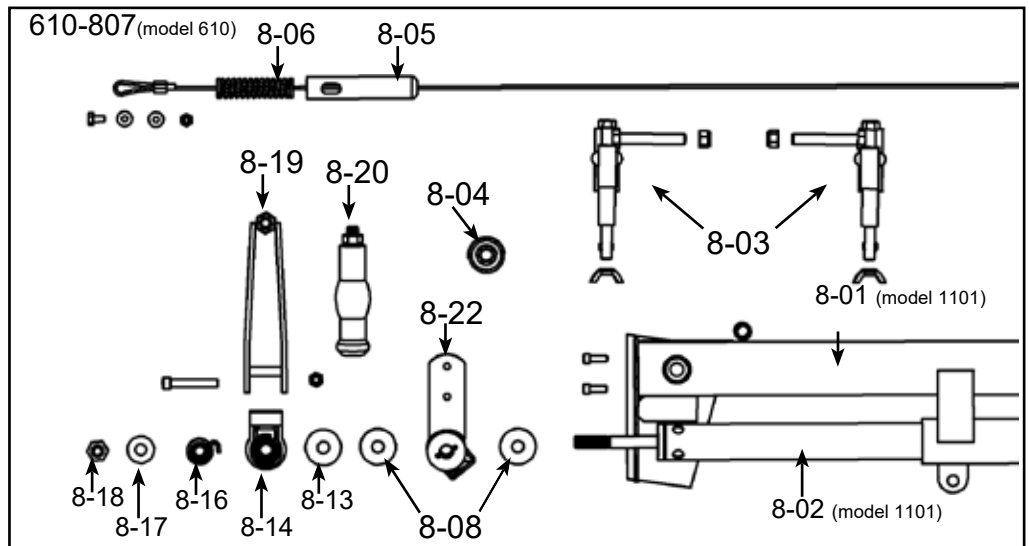
<u>Part</u>	<u>Description</u>
610-60A	End section "A" (crank side) without removable parts
610-60B	End section "B" (non-crank) without removable parts
6-01	Latch pin with fasteners (each)
610-700	Complete telescoping ladder section (each) (total of 2)
7-01	Cable sheave with Axle and Pin
7-02	Ladder lock spring pin with fasteners
610-800	Complete beam assembly for Model 1101
8-01	Beam body with sleeve bearings Model 1101
8-02	Winch tube Model 1101
8-03	Latch Bolt assembly (pair)
8-04	Ball bearing (1/2" diameter hole)
8-05	Spring socket
8-06	Cable spring (compression)
610-807	Cable Assembly. 1/8" x 29' 6" with fasteners for Model 1101
8-08	Fiber washer (each) (total of 2)
8-13	Nylon washer
8-14	Crank knuckle
8-16	Serrated end bushing w/ spring
8-17	1/2" washer
8-18	1/2" cap nut
8-19	Crank arm with fasteners
8-20	Winch Handle
8-22	Hanger bracket brake assembly
9-00	Outrigger with stop bolt (each) (total of 4)
10-00	5" Caster, brake mechanism & fasteners (ea.) (total of 4)
12-00	Deck for Model 1101
13-00	Deck for Model 610
14-00	Model 1101 Guard rail w/ chain (each) (total of 4)
14-04	Safety chain (each)



Base End Section Components



610-700 Complete Telescoping Ladder Section



8-00 Complete Beam Assembly (model 1101)

**Need to order parts?**  
**Call Paragon Pro.**  
**Customer Service at**  
**1-800-448-0822**